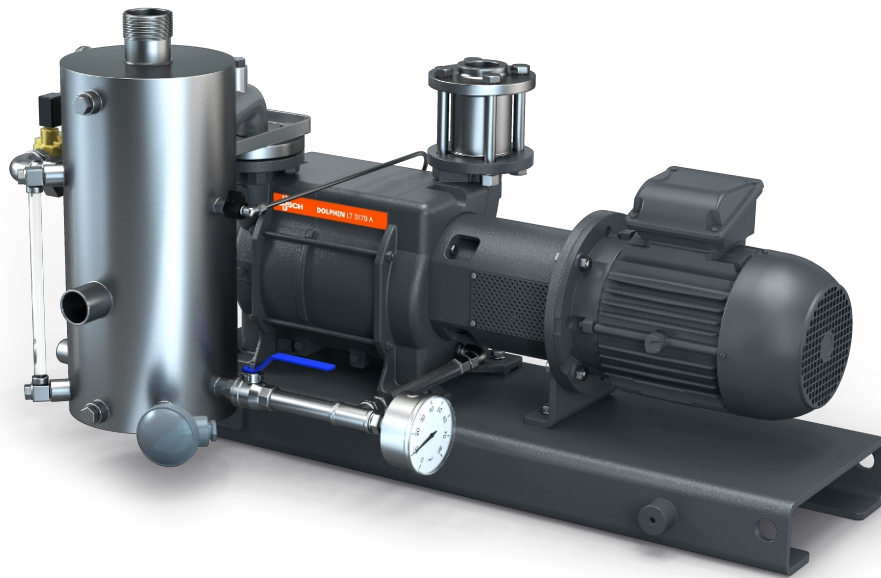


DOLPHIN VL 0130-0320 A Partial Recirculation

Liquid ring vacuum pump units



VACUUM SOLUTIONS



Robust

Proven technology, reliable operation, corrosion-free stainless steel impeller, extremely high vapor and particle tolerance, part of the operating fluid is recirculated, fresh liquid introduced in sufficient quantity to maintain proper temperature

All-in-One

Unit with base frame, operating fluid separator, control system, including inlet check valve, fresh liquid supply kit, level indicator with switches, temperature and pressure indicators and cavitation protection

Flexible

Choice of cast iron (EN-GJL-200) or 316 grade stainless steel material housings, ATEX-certified version available (Cat. 1 (i/o) IIC, T4), operating fluids other than water possible

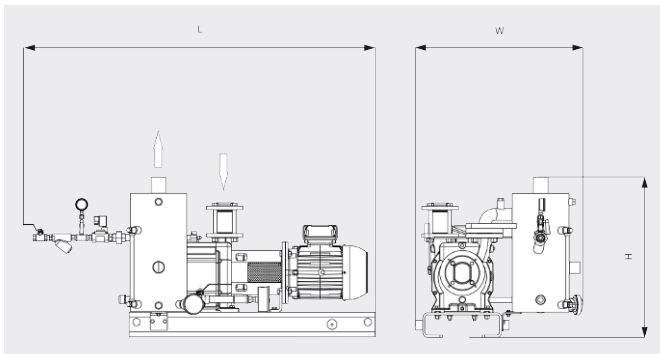
DOLPHIN VL 0130-0320 A Partial Recirculation

Liquid ring vacuum pump units

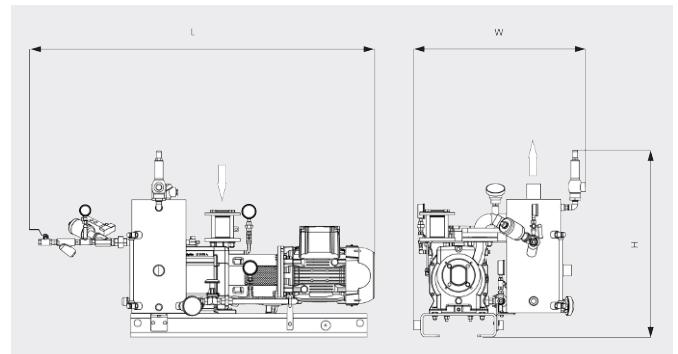


VACUUM SOLUTIONS

Dimensional drawing



Dimensional drawing



	DOLPHIN VL 0130 A Partial Recirculation	DOLPHIN VL 0170 A Partial Recirculation	DOLPHIN VL 0220 A Partial Recirculation	DOLPHIN VL 0320 A Continuous Flow
Nominal pumping speed	105 / 128 m ³ /h (50 / 60 Hz)	144 / 162 m ³ /h (50 / 60 Hz)	203 / 230 m ³ /h (50 / 60 Hz)	255 / 320 m ³ /h (50 / 60 Hz)
Ultimate pressure	33 hPa (mbar) (50 / 60 Hz)	33 hPa (mbar) (50 / 60 Hz)	33 hPa (mbar) (50 / 60 Hz)	33 hPa (mbar) (50 / 60 Hz)
Nominal motor rating	3.0 / 4.0 kW (50 / 60 Hz)	4.0 / 5.5 kW (50 / 60 Hz)	5.5 / 7.5 kW (50 / 60 Hz)	7.5 / 11.0 kW (50 / 60 Hz)
Weight approx.	210 / 236 kg (Safe / ATEX)	220 / 248 kg (Safe / ATEX)	263 / 300 kg (Safe / ATEX)	382 / 429 kg (Safe / ATEX)
Dimensions (L x W x H)	1133 x 704 x 647 / 1133 x 724 x 788 mm (Safe / ATEX)	1133 x 704 x 647 / 1166 x 724 x 788 mm (Safe / ATEX)	1231 x 704 x 647 / 1303 x 724 x 788 mm (Safe / ATEX)	1519 x 869 x 947 / 1520 x 931 x 1064 mm (Safe / ATEX)
Gas inlet / outlet	G 1½" / R 2"	G 1½" / R 2"	G 1½" / R 2"	G 2" / R 3"

DO YOU WANT TO KNOW MORE?

Get in touch with us directly!



CONTACT FORM